

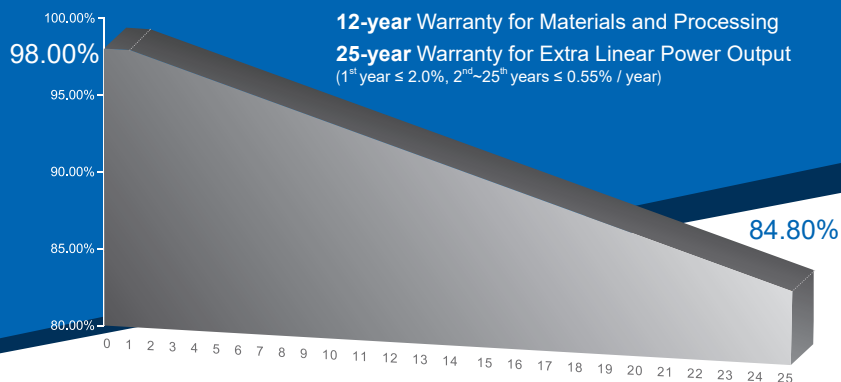
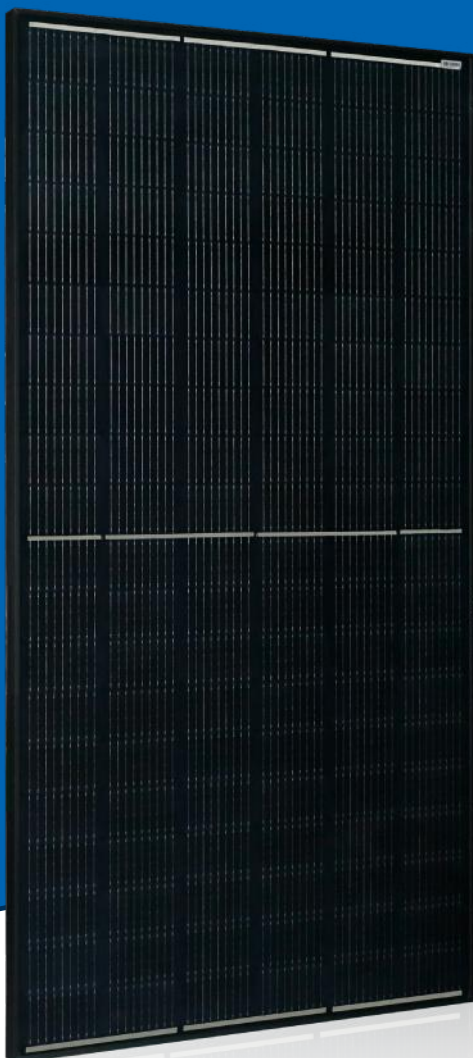
AstroSemi™

Incredible Power for Small Body

355W~365W

Monocrystalline PV Module

CHSM60M(BL)-HC Series (166)



KEY FEATURES



OUTPUT POSITIVE TOLERANCE

Guaranteed 0~+5W positive tolerance ensure power output reliability.



INNOVATIONAL HALF-CELL TECHNOLOGY

Improve the module output, decrease the risk of micro cracking, enhance the module reliability.



INNOVATIVE PERC CELL TECHNOLOGY

Excellent cell efficiency and output.



REDUCE SHADOW LOSS

Effectively reduce the effect of shading on the module surface.



REDUCE INTERNAL MISMATCH LOSS

Reduce mismatch loss and improve output.



THE-STATE-OF-THE-ART APPEARANCE

Full black designed for a better aesthetic appearance and building integration.



ANTI PID RESISTANCE

Excellent PID resistance at 96 hours (@85°C /85%) test, and also can be improved to meet higher standards for the particularly harsh environment.

COMPREHENSIVE CERTIFICATES



First solar company which passed the TUV Nord IEC/TS 62941 certification audit.

For Global Market



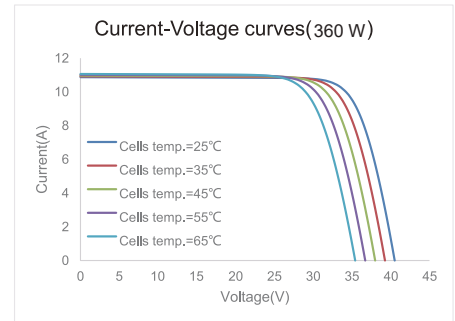
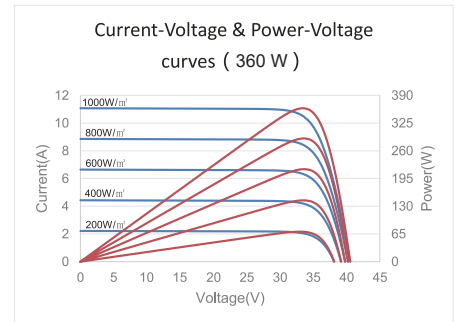
ASTRONERGY
 A CHNT COMPANY

ELECTRICAL SPECIFICATIONS

STC rated output (P_{mpp})*	355 Wp	360 Wp	365 Wp
Rated voltage (V_{mpp}) at STC	33.24 V	33.49 V	33.73 V
Rated current (I_{mpp}) at STC	10.68 A	10.75 A	10.82 A
Open circuit voltage (V_{oc}) at STC	39.80 V	40.14 V	40.41 V
Short circuit current (I_{sc}) at STC	11.15 A	11.21 A	11.29 A
Module efficiency	19.2%	19.5%	19.7%
Rated output (P_{mpp}) at NMOT	264.7 Wp	268.5 Wp	272.2 Wp
Rated voltage (V_{mpp}) at NMOT	30.99 V	31.22 V	31.45 V
Rated current (I_{mpp}) at NMOT	8.54 A	8.60 A	8.65 A
Open circuit voltage (V_{oc}) at NMOT	37.42 V	37.74 V	37.99 V
Short circuit current (I_{sc}) at NMOT	8.97 A	9.02 A	9.08 A
Temperature coefficient (P_{mpp})	- 0.34%/°C		
Temperature coefficient (I_{sc})	+0.04%/°C		
Temperature coefficient (V_{oc})	- 0.27%/°C		
Nominal module operating temperature (NMOT)	44±2°C		
Maximum system voltage (IEC/UL)	1000V _{DC}		
Number of diodes	3		
Junction box IP rating	IP 68		
Maximum series fuse rating	20 A		

STC: Irradiance 1000W/m², Cell Temperature 25°C, AM=1.5
 NMOT: Irradiance 800W/m², Ambient Temperature 20°C, AM=1.5, Wind Speed 1m/s

CURVE



MECHANICAL SPECIFICATIONS

Outer dimensions (L x W x H)	1765 x 1048 x 35 mm
Frame technology	Aluminum, black anodized
Module composition	Glass / EVA / Backsheet (black)
Front glass thickness	3.2 mm
Cable length (IEC/UL)	Portrait: 350 mm Landscape: 1200 mm
Cable diameter (IEC/UL)	4 mm ² / 12 AWG
① Maximum mechanical test load	5400 Pa (front) / 2400 Pa (back)
Fire performance (IEC/UL)	Class C (IEC) or Type 1 (UL)
Connector type (IEC/UL)	MC4 compatible

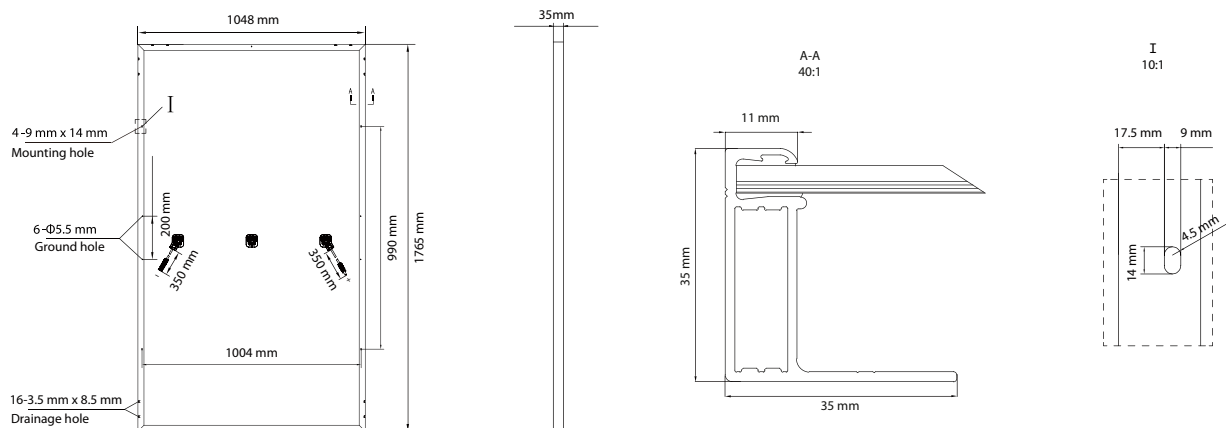
① Refer to Astronergy crystalline installation manual or contact technical department.
 Maximum Mechanical Test Load=1.5×Maximum Mechanical Design Load.

PACKING SPECIFICATIONS

① Weight (module only)	20.0 kg
② Packing unit	31 pcs / box
Weight of packing unit (for 40'HQ container)	661 kg
Number of modules per 40'HQ container	806 pcs

① Tolerance +/- 1.0kg
 ② Subject to sales contract

MODULE DIMENSION DETAILS



© Chint Solar (Zhejiang) Co., Ltd. Reserves the right of final interpretation. please contact our company to use the latest version for contract.